

# MVSY-156 series

## SOLENOID VALVE

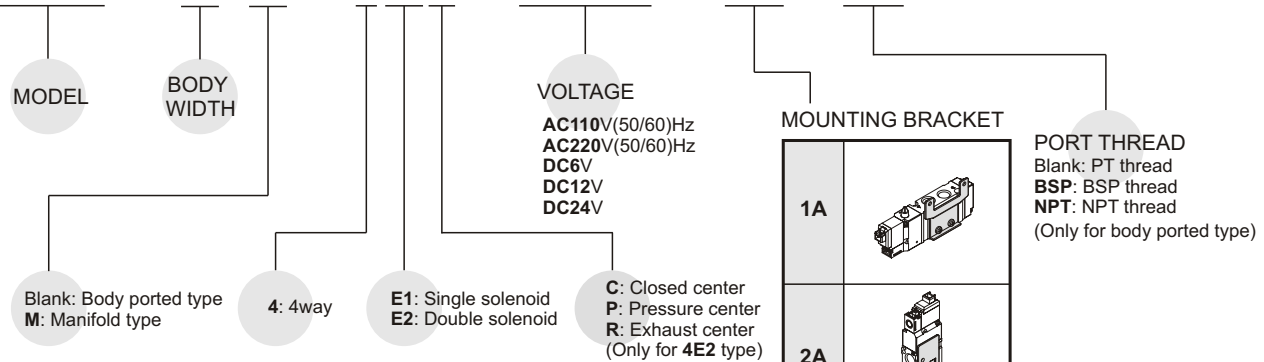


### Specification:

Model	MVSY-156-4E1	MVSY-156-4E2	MVSY-156-4E2C.P.R
Bore No.	6A		
Port size	PT1/8		
No. of port	5		
No. of position	2	3	
Medium	Air		
Operating pressure range	1.5~7 kgf/cm <sup>2</sup>		2~7 kgf/cm <sup>2</sup>
Proof pressure	10 kgf/cm <sup>2</sup>		
Effective orifice	13 mm <sup>2</sup>		7.5 mm <sup>2</sup>
Response time	19 ms		32 ms
Ambient temperature	+5~+50°C		
Voltage	AC110V, AC220V (50/60)Hz, DC6/12/24V		
Power consumption	AC=1.6 / 2.5VA, DC=1.2W (LED indicator)		
Available voltage range	±10%		
Insulation class	F class		
Weight	68g	87g	96g

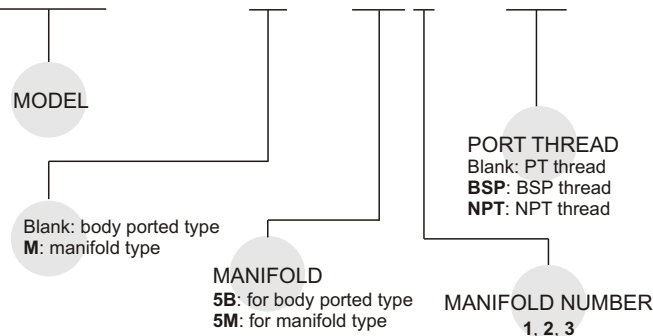
### Order example of valve:

**MVSY – 156M – 4E2C – AC110 – 1A – BSP**

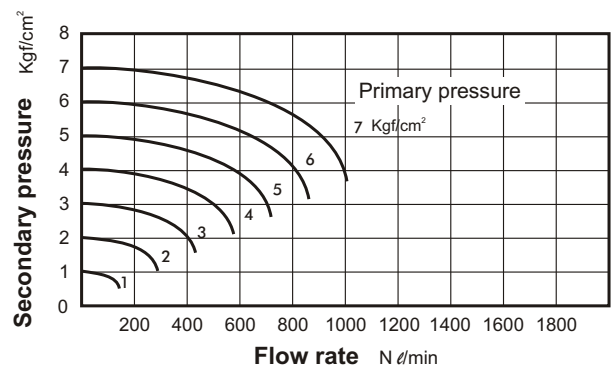


### Order example of manifold:

**MVSY – 156M – 5M3 – BSP**



### Flow features:



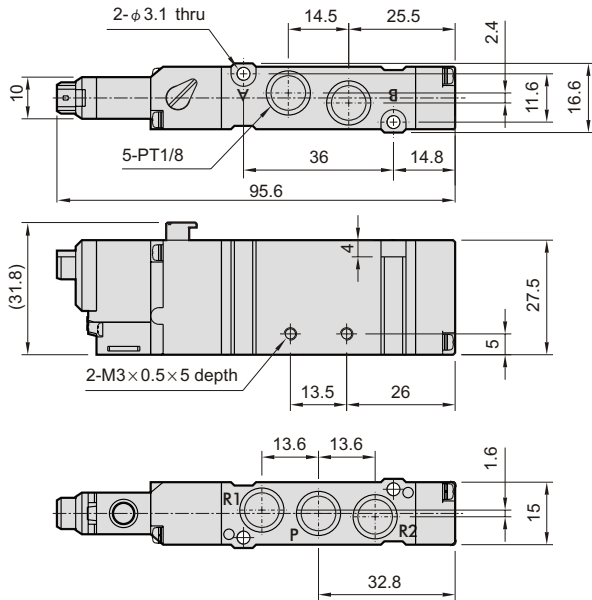
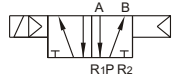
# MVSY-156

## SOLENOID VALVE

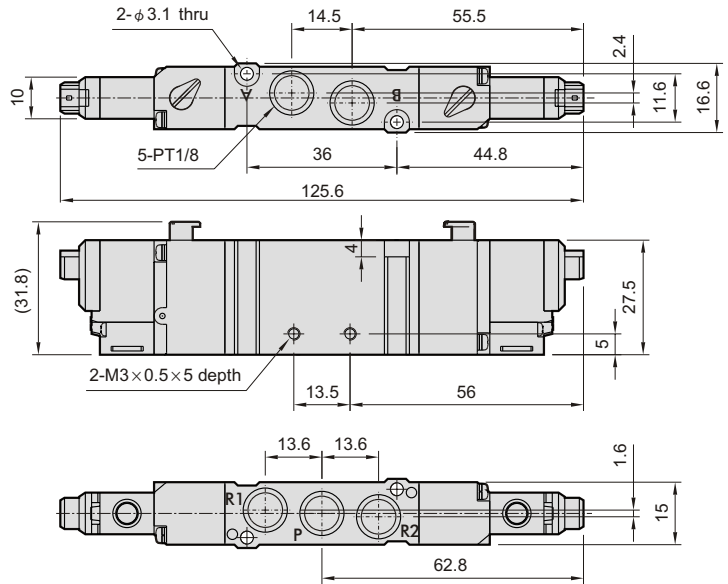


### Dimensions:

#### MVSY-156-4E1



#### MVSY-156-4E2

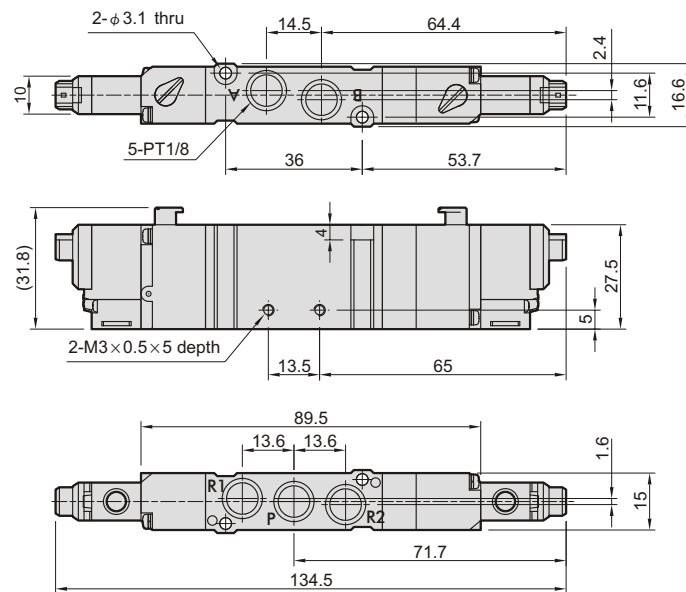
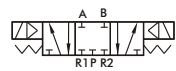


#### MVSY-156-4E2C.PR

##### MVSY-156-4E2C

##### MVSY-156-4E2P

##### MVSY-156-4E2R



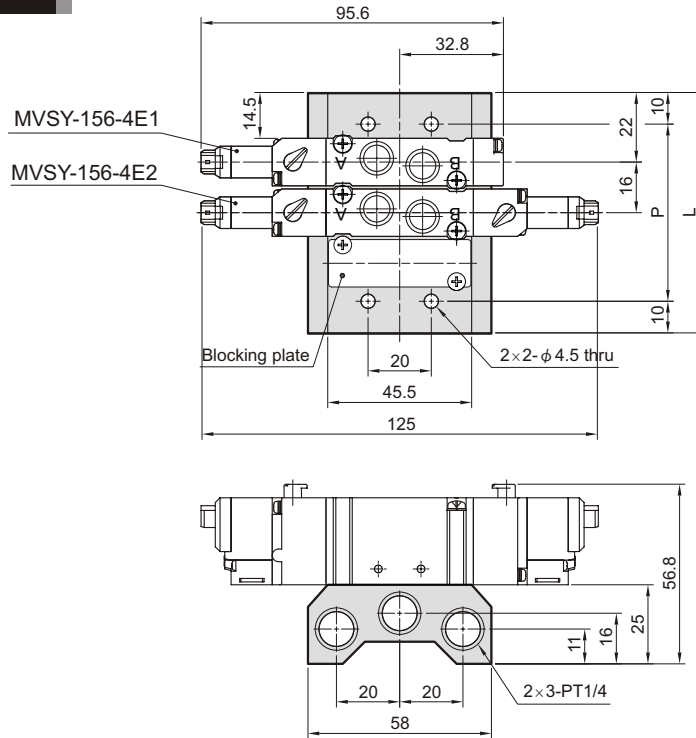
# MVSY-156

## SOLENOID VALVE



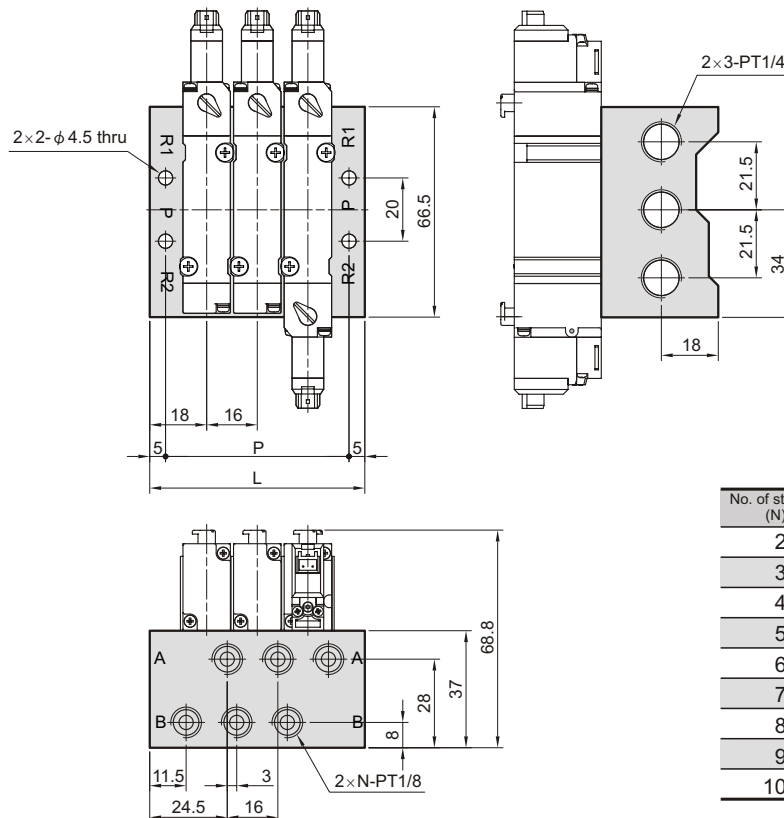
### Manifold of solenoid valve:

#### 5B\*



No. of stations (N)	P	L
2	40	60
3	56	76
4	72	92
5	88	108
6	104	124
7	120	144
8	136	156
9	152	172
10	168	188

#### 5M\*



No. of stations (N)	P	L
2	42	52
3	58	68
4	74	84
5	90	100
6	106	116
7	122	132
8	138	148
9	154	164
10	170	180

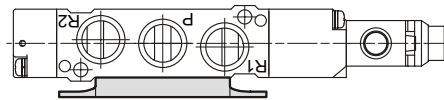
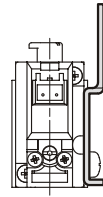
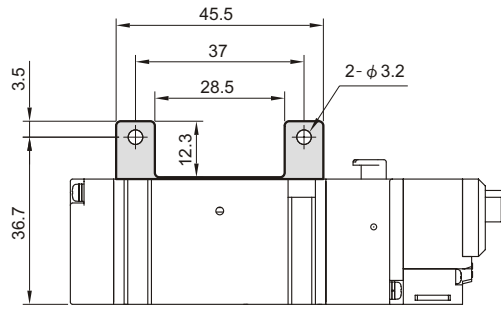
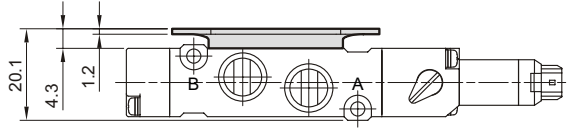
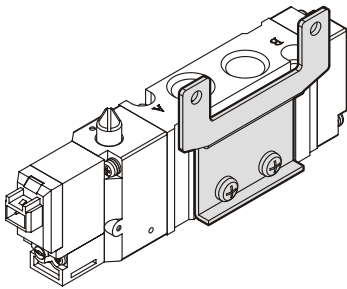
# MVSY-156

SOLENOID VALVE



## Mounting bracket:

1A



2A

